



DESCRIPTION

Digital multifunction solenoid driven dosing pump. Constant or proportional dosing mode.

- Reinforced PP housing, suitable for aggressive working environment;
- Mechanical stroke adjustment (injection volume modification);
- Inputs: level probe, inhibitor, proximity sensor;
- Standard power supply 240Vac - 50 / 60Hz;
- Selectable language and units of measurement;
- 132x56 pixel graphic display;
- Simplified menu access via knob / encoder;
- IP65 protection degree;
- Wall mounting bracket supplied with installation kit.

WORKING MODE

- Mode proportional to a 4-20mA signal;
- Mode proportional to a pulse-emitting water meter: 1xN; 1xN (M); 1: N; PPM;
- Programming delay intervention of the level probe;
- Daily weekly timer for programmed dosages;
- 3 different selectable performance setup.



TECHNICAL FEATURES

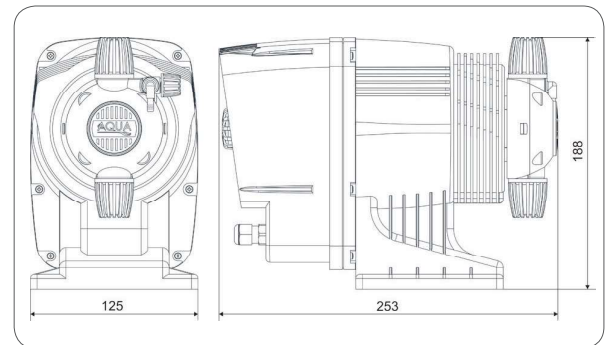
	Standard version
Pump head	PVDF
Pump housing	PP
Diaphragm	PTFE
Balls	Ceramica
Body valve	1/2" - PVDF
O-rings	FPM Viton®
Injection ball valve (Spring)	Hastelloy-Pyrex®
Injection fitting / Attack	PVDF - 4x6
Foot valve	PVDF
Power supply	240 Vac 50/60Hz

EPDM gasket, upon request

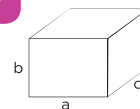
Automatic bleeding version on request



DIMENSIONS



PACK



Single pack
axbxc: 295x160x350 mm
Kg: 4,50
Multipack
4pz/pcs - axbxc: 375x350x620mm
Kg: 19,20



STANDARDS

- n°. 2004/108/CE EMC directive
- n°. 2006/95/CE "DBT Low Voltage Directive"
- n°. 2011/65/UE, 2012/19/UE "RoHs and WEEE directives"

HC200+ MULTIFUNCTION **NEW!**



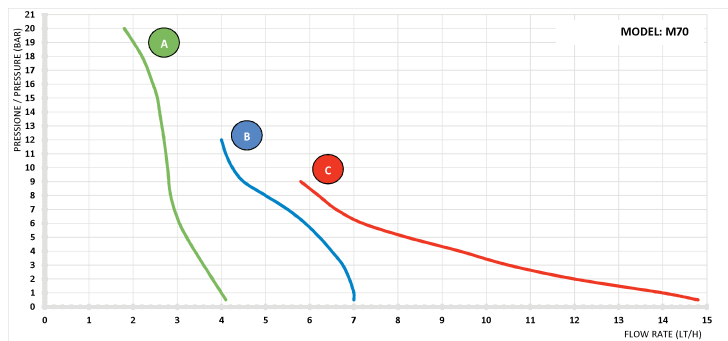
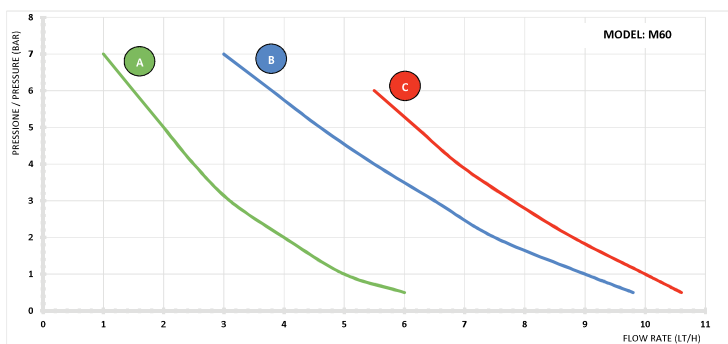
INSTALLATION KIT

Code	Description	
KITPDE510	HC200+ PVDF installation kit	

PERFORMANCE

Code	Solenoid	Type	Flow rate	Pressure	Strokes	Stroke volume	Consumption	
			(l/h)	BAR	n° / min	ml/stroke	watt	
ADA22013A2000	M60	A	1	7	100	0,17	14	
			5	1		0,83		
		B	3	7	150	0,33		
			9	1		1		
		C	5,5	6	180	0,51		
			10	1		0,93		
ADA22023A2000	M70	A	1,8	20	75	0,4	16	
			4	1		0,89		
		B	4	12	120	0,56		
			7	1		0,97		
		C	5,8	9	180	0,54		
			14	1		1,3		

PERFORMANCES GRAPH



CONNECTIONS



The above datas are referring to tests made with water at room temperature. Values may vary by 10%.