

C201

made in Italy



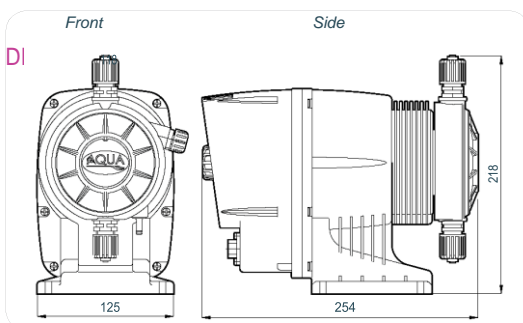
## DESCRIPTION

- Multi-function dosing pump. Mechanic adjustment of each injection. Microprocessor, display and digital control technology;
- Proportional functioning with external digital signal, with input pulses divider and multiplier;
- Proportional functioning with 4-20mA direct and inverse analogue signal;
- Constant functioning with flow rate adjustment in pul/minute, min. 1 pulse/10 minutes. Timed functioning with daily/weekly timer;
- Level probe compatible (probe and connector not included);
- IP65 protection.



## TECHNICAL FEATURES

	Standard version	Upon request
Pump head	PVDF	PVC automatic bleeding
Pump housing	PBT	-
Diaphragm	PTFE	-
Balls	PVDF	Pyrex/ceramic
Body valve	PVDF	-
O-rings	Viton®	Dutral®
Spring loaded injection valve	Hastelloy-PTFE	Hastelloy-ceramic
Injection fitting	PVDF	-
Foot valve	PVDF	-
Suction and air bleed pipe	PVC	-
Delivery pipe	PE	-
Power supply	230V	110V



## STANDARDS

- no. 2004/108/CE EMC directive
- no. 2006/95/CE "DBT Low Voltage Directive"
- no. 2011/65/UE, 2002/96/CE "RoHs and WEEE directives"



## IMBALLO/PACK

Single pack : a x b x c:  
295x160x350mm - Kg: 4,55  
Multipack:  
a x b x c: 375x355x620 mm - Kg: 19,40

# > solenoid driven dosing pumps

• With viton seals.

Code	Model	Flow rate	Pressure	Strokes	Stroke volume	Consumption	Tubing IDxOD	Pump head
		lt/h	BAR	BPM/SPM	ml/colpo	watt	mm	
AD24002180P04000	02.18	2	18	120	0,27	34	4x6	PVDF 3/8"
		4	9		0,55			
		9	1		1,25			
AD24004180P04000	04.18	4	18	120	0,55	34	4x6	PVDF 3/8"
		6,8	9		0,94			
		12	1		1,66			
AD24009090P04000	09.09	9	9	120	1,25	34	4x6	PVDF 3/8"
		12	4,5		1,66			
		15	1		2,08			
AD24010100P00400	10.10	10	10	120	1,38	34	4x6	PVDF 3/8"
		12,6	5		1,75			
		17	1		2,36			
AD24015030P00400	15.03	15	3	120	2,08	34	4x6	PVDF 3/8"
		16	1,5		2,22			
		18	1		2,50			

## INSTALLATION KIT



Code	Model
ADSP6000078	PE delivery tube (2m)
ADSP6000546	PVC crystal tube (suction + bleed) (2 m)
ADSP6000028	Foot filter PVDF 4x6
ADSP6200031	Injection valve ball 1/2" PVDF 4x6

## + ACCESSORIES AND SPARE PARTS

### Accessories

Code	Model
ADSLG	Level probe with HIRSHMANN

Code	Model	Seals	Height mm	Connector	Connections	Tanks lt
ADLASM10C0	Suction device	GL - VT	115 - 600	con with HIRSH	4x6	60 - 100
ADLASM30C0	Suction device	GL - VT	115 - 840	con with HIRSH	4x6	200 - 300

Code	Model	Size Øxh	Volume lt
ADTANK010	PE tank	500 x 680	100
ADTANK020	PE tank	620 x 800	200
ADTANK030	PE tank	710 x 890	300

Code	Model
ADSTF200	Vertical/wall mounting bracket

### Spare parts

Code	Model	Flow-rate lt/h	Pressure BAR	Pipe
ADSP6000136P	Pump head PVC-PVDF-CE-VT (automatic discharge)	2	20	4 x 6
ADSP60000S8P	Pump head PVDF-PTFE-VT	2	20	4 x 6



QR code  
Vai direttamente all'approfondimento  
Get more detailed information